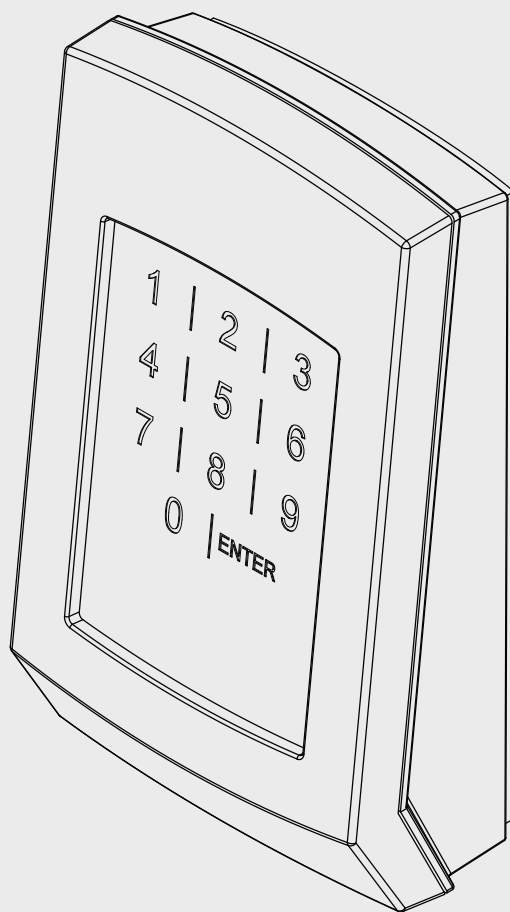


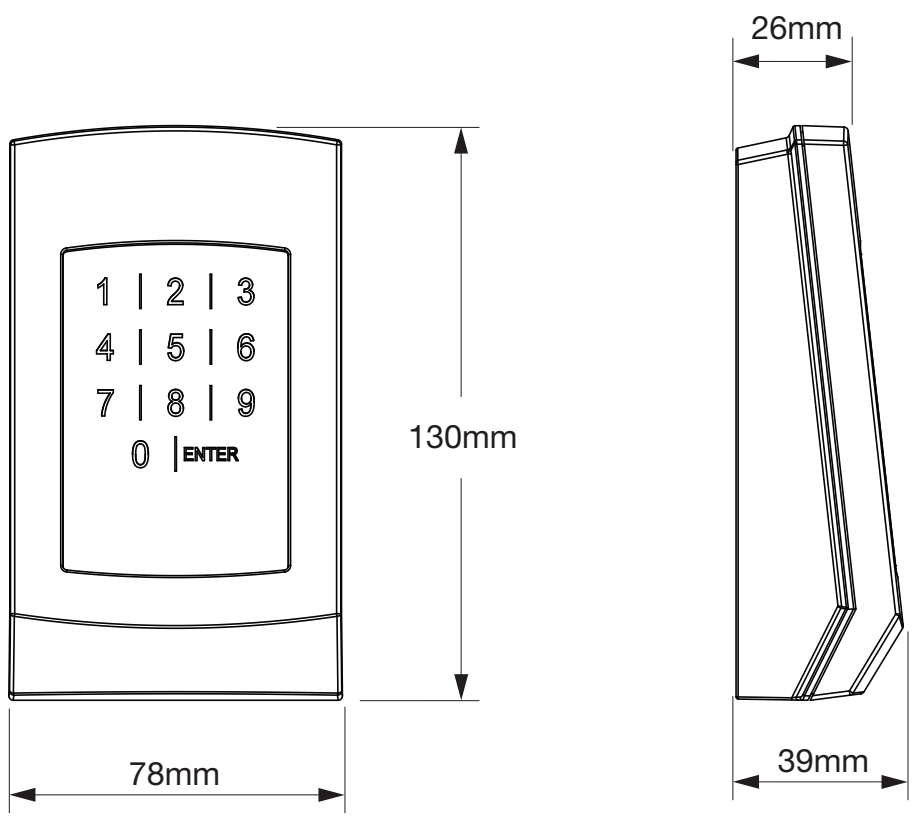
BE.TOUCH



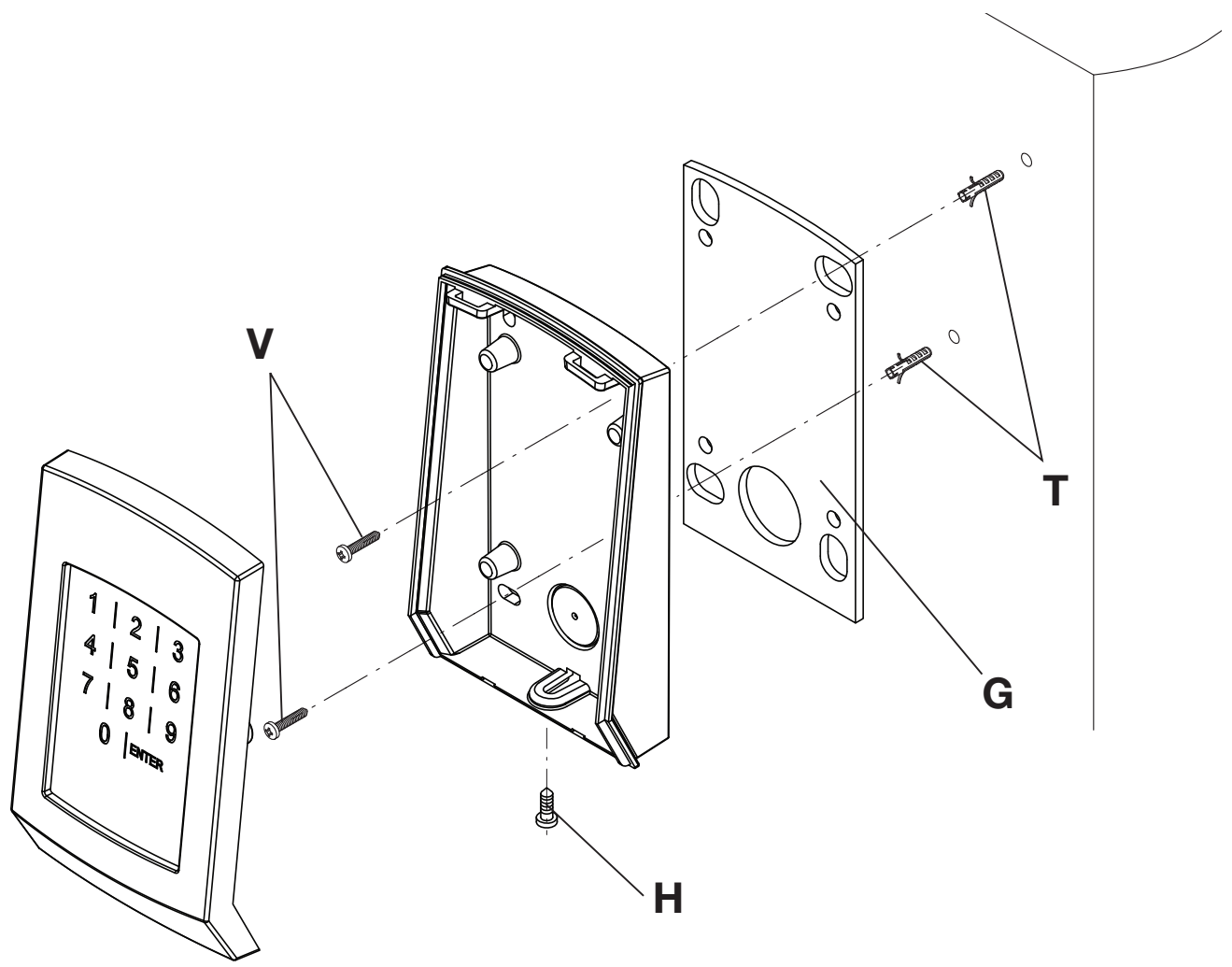
BENINCA[®]
TECHNOLOGY TO OPEN



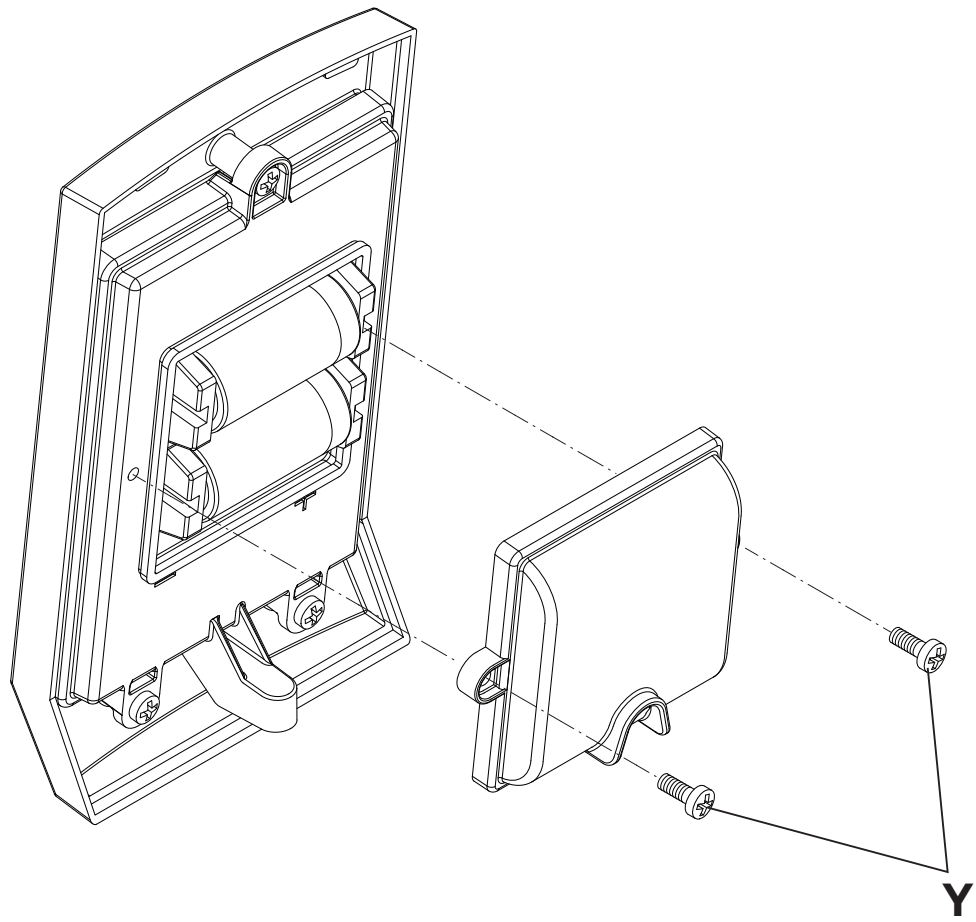
1



2



3



FAST USER'S GUIDE

How to memorise a code (father)

- Activate the keypad by laying a hand on the screen.
- Type in the access password (123456 is the preset password)
- Press key 2 (2 beeps followed by an interval are heard)
- Digit the desired father code (1 to 9 digits), followed by Enter (3 beeps followed by an interval are heard)
- Press one of the following keys, which identifies the coding type
 - 1 Rolling-Code
 - 2 ARC Advanced Rolling Code
 - 3 Fixed Code

The device automatically emits two beeps and exits the programming mode.

Use

- Activate the keypad by laying a hand on the screen.
- Type in the previously memorised code, followed by Enter.
- Two beeps and two flashes of the back lights indicate the completion of transmission.

EC Declaration of Conformity

The undersigned certifies that the product:

PROGRAMMABLE DIGITAL KEYPAD BE.TOUCH

is compliant with all technical regulations related to a product within the application field of EU directives 73/23/CEE,89/339/CEE and

ETSI EN 301 489-3 V1.4.1 (2002)
ETSI EN 301 489-1 V1.4.1 (2002)
ETSI EN 300 220-3 V1.1.1 (2000)
EN 60950-1 (2001)

*All the necessary
radiofrequency tests have been performed*

Manufacturer or authorised representative:

AUTOMATISMI BENINCÀ SpA
Via Capitello, 45 - 36066 - Sandrigo (VI) ITALIA

*The manufacturer and, if applicable, the authorised
representative, are the only persons responsible for
this declaration.*

Sandrigo, 10/04/2011
Benincà Luigi, Legal Officer.



BE.TOUCH

Description

Programmable wireless digital keypad.

It allows to carry out the control of automatic systems for gates and similar systems, with no need to lay any cables.

BE.TOUCH is powered by two 3V batteries and transmits the radiofrequency control to another transmitter in a similar way.

The main characteristics are:

- A touch keypad of the capacitive type.
- LED retro light.
- Compatible with all Benincà radio receiver models with 433.92 MHz operating frequency.
- Type of code: programmable code, rolling-code and ARC (advanced rolling-code).
- 1 to 9 digit code composition.
- 0 to 9 keys plus ENTER to confirm.
- Possible setting of access password, scalar code and elimination of single codes.
- Possible enabling of the ENTER key for code repetition.
- Indication of down battery and buzzer for acoustic indications.

TECHNICAL DATA	
Power supply	Tao 3V lithium batteries (Li) CR123A (1400mAh)
Range without obstacles	100m
Operating frequency	433,92 MHz
Operating temperature	-20°C / +70°C
Number of storable codes	254
Protection level	IP55
Overall dimensions	see Fig.1

Wall installation (Fig. 2)

BE.TOUCH can be applied to wall through washers and plugs supplied.

WARNING: As the various programming phases require an access to the radio receiver of the system, it is advisable to fix the keypad to wall only after programming all functions.

The IP55 protection level permits to use the keypad also on walls that are not protected against weather agents. It is however advisable, whenever possible, to apply the system on a protected wall.

In any case, it is mandatory to apply the G gasket between wall and container.

- 1 Open the container by loosening the screw H.
- 2 Apply the bottom of the container to wall by using either the two plugs T and the two screws C, if a masonry support is provided, or self-tapering screws, if a metal support of provided: in any case, use a fixing suitable to the support.
- 3 Close the container.

How to replace the batteries (Fig. 3)

Open the container by removing the screw H, Fig.2.

A battery removable cover is supplied on the rear part, fixed with the two screws Y, Figure 3.

Always replace both batteries with new batteries CR123A, taking care of poles.

Duration of the batteries

The battery life always depends on the frequency of use. The following table indicates the indicative life of batteries according to their use:

No. of activations/day *	Foreseen battery life** (years)
0	6,5
2	6
5	5
10	4

*Activations of around 10 seconds
**Average temperature: 25°C

PROGRAMMING

Before proceeding to the programming of the system, some aspects of the operating principles must be highlighted.

Before programming, carefully read all instructions.

Access password

The programming of the device is protected by an access password which should be immediately customized.

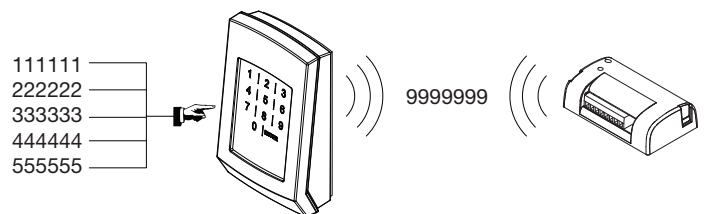
The factory-preset password is 123456.

Take note of the new password and keep it in a safe place for future uses. If the password is lost, the device will have to be entirely reset, and all memorised codes will be removed.

Father Code / Child Code

BE.TOUCH behaves substantially as a standard radio transmitter. It sends the receiver a code which is similar to the code that is sent by pocket remote controls.

For an easier management of the system, BE.TOUCH can store various digital codes from the numeric keypad and match them to one single radio code.



In this example, the “Father” code 999999 is matched to various “Child” codes (111111/222222/etc.). In this way, new Child codes can be included at any moment by acting directly on BE.TOUCH, without having access to the receiver.

In any case, the Father code must be stored in the receiver memory.

The Father code operates independently from the presence of related Child codes.

In the event of not particularly complex installations, it is possible to memorise Father codes only, as indicated in Menu 2.

A specific radio code sent to the transmitter corresponds to each Father code. This radio code will occupy a memory location in the receiver.

BE.TOUCH is able to store a total of 254 codes, which might be either Father or Child codes.

IMPORTANT: Never use codes with too simple or easily traceable number sequence.

FUNCTION MENU

After activating the keypad, and typing the access password followed by Enter, access is enabled to the Function Menu (2 beeps are heard from the buzzer).

BE.TOUCH awaits that one of the 9 Menu available is selected. During this dwell time, a beep every 0.5sec is heard:

- 1 Change of access password for programming menu
- 2 Typing in of Father code
- 3 Typing in of Child code
- 4 Erasing of Father/Child code
- 5 Activation of scalar counter
- 6 Configuration Menu of operation
- 7 Configuration Menu of proximity switch
- 8 Check Menu of the coding type of a memorised transmitter code
- 9 Enable Menu of ENTER button for code repetition.

Press the desired menu button.

NOTE:

- The keypad is activated by laying the hand on the front side. The keypad will switch on after a few seconds. In this way the duration of batteries is maintained.
- Auto shut-off is 10 seconds. After this period of time the system must be switched on again, as described above.
- To exit a programming menu without making any changes, press Enter, or wait for 20 seconds (time-out time).
- A possible programming error is indicated with a long beep, BE.TOUCH then exits the programming phase.

MENU 1

To customize the access password

After typing key 1, the customization of the password phase is entered, indicated by 2 beeps followed by an interval.

- Type in the new password and press ENTER.
- BE.TOUCH confirms the typing with 3 beeps followed by an interval.
- Type in the new password once more and press ENTER.
- If the two digits are the same the password is stored in memory and the keypad returns to stand-by mode.

MENU 2

Typing in of Father code

After typing key 2, the customization of the Father code is entered, indicated by 2 beeps followed by an interval. The Father code can be composed of 1 to 9 digits.

- Type in the desired Father code and press ENTER. 3 beeps, followed by an interval, are heard to confirm the operation. The device is now waiting for a command which specifies the type of receiver coding to be used for the code just typed in:
- Press 1 for the Rolling-code receivers
- Press 2 for the ARC receivers
- Press 3 for the Fixed-code receivers
- Press ENTER to confirm selection, BE.TOUCH exits the programming mode.

MENU 3

Typing in of Child code

After typing key 3, the customization of the Father code is entered, indicated by 2 beeps followed by an interval.

The Child code can be composed of 1 to 9 digits.

- Digit the Father code (followed by ENTER) to which the Child code should be matched (it will be typed in after). If the typed in Father code is not valid, an error is shown. If the code is valid, three beeps are heard and the device awaits that the Child code be typed in.
- Type the Child code and then press ENTER. The code will be matched to the Father code typed in before. The Child code will take the coding type and the transmitted radio code from the Father code.

MENU 4

Code erasing

After typing key 4, the erasing phase of the code is entered, indicated by 2 beeps followed by an interval.

- Type in the code to be erased and press ENTER. Three beeps, followed by an interval, confirm the operation.

If the erased code is a Father code, all corresponding Child codes will be erased.

MENU 5

Specification of scalar counter

This function is not usable with Father codes. After typing key 5, the specification of the scalar counter is entered, indicated by 2 beeps followed by an interval.

- Type in the Child code to which a scalar counter should be matched. Then press ENTER. If the code is actually present, three beeps, followed by an interval are heard. The following phase is entered in which the counter value is specified.
- Digit a number between 1 and 999 and press ENTER.

When new codes are typed in, the matched counter is then decreased.

When the counter reaches zero, the matched code is removed from memory.

MENU 6

Operation configuration

Through the Menu the following is possible:

- Activate or deactivate the buzzer.
- Switch the back light on and off.
- Activate or deactivate the auto switch-off.

The fabric configuration presets that all three functions be activated.

After typing key 6, the password is required to have access to advanced functions.

The password to have access to the advanced functions is 654321 and it is not customizable.

Press 6, two beeps are heard, press 654321, three beeps are heard followed by an interval, one of the following sequences are required by the device:

- 1 (4 beeps) >1> (2 beeps)
if the acoustic indicator is to be activated
- 1 (4 beeps) >0> (2 beeps)
if the acoustic indicator is to be deactivated

- 2 (4 beeps) >1> (2 beeps)
if the back light is to be activated

- 2 (4 beeps) >0> (2 beeps)
if the back light is to be deactivated

- 3 (4 beeps) >1> (2 beeps)
if the "always lit-up" function is to be activated

- 3 (4 beeps) >0> (2 beeps)
if the "always lit-up" function is to be activated

**To be activated only if the device is powered by an external source. The device is always activated and does not require any button to be pressed.*

MENU 7

Operation as proximity switch

By activating this function, the keypad sends a radio control also when the system is activated (first touch).

This might be useful, for example, to activate a courtesy light in the keypad area.

Around 2 seconds are needed for this function at every activation of the device. During this period of time it is not possible to type any access codes.

After typing key 7, the function activation phase is entered, indicated with 2 beeps followed by an interval.

In the factory configuration this function is disabled.

- Type in 1
if the function is to be activated

- Type in 0
if the function is to be deactivated.

If 1 is typed in, three beeps followed by an interval are heard. The device awaits for the command to specify the coding type of the code which will be transmitted when the BE.TOUCH is activated.

- Type 1>(2 beeps)
if a Rolling-Code is desired.

- Type 2>(2 beeps)
if an Advanced rolling code (ARC) is desired.

- Type 3>(2 beeps)
if a Fixed Code is desired.

MENU 8

To check the coding type

If allows to check the type of radio coding related to a determined code stored in memory. After typing key 8, two beeps followed by an

interval are heard. The system is waiting for the code.

- Type the code to be checked followed by ENTER.

If the code is memorised, BE.TOUCH replies with 1, 2 or 3 beeps:

- Rolling-code: 1 beep
- Advanced rolling code (ARC): 2 beeps
- Fixed Code: 3 beeps

MENU 9

Code repetition activation with ENTER

Through this function it is possible to enable the button, ENTER as code "repeater", during the 20 seconds following the code introduction.

This function might be useful to check the automatic systems preset with Step-by-Step cycle operation (e.g. OPEN>STOP>CLOSE>STOP>OPEN>).

After 20 seconds, the system exits the repetition mode and a new valid code shall be typed in again.

In the factory configuration this function is disabled.

After typing key 9, two beeps followed by an interval are heard. The system enters a wait state.

- Type in 1

if the function is to be activated.

- Type in 0

if the function is to be deactivated.

Then, three beeps are heard followed by an interval. The device activates or deactivates the function and exits the programming mode.

TO MEMORISE THE FATHER CODES IN THE RECEIVER

After programming the father/child codes as required, the father codes must be stored in the receiver memory.

Proceed according to instructions given with the receiver.

When the receiver enter the wait state for a code to be memorised, digit the FATEHR code (or a Child code matched with it), press ENTER and BE.TOUCH will send the code to be stored in the receiver memory.

More than one receiver can be used, also with a different decoding, and in the event of multi-channel receivers, various codes can be matched to various channels.

In the event of especially complex installations,

it is advisable to make and carefully keep a diagram of the various receivers used, as well as their functions and related BE.TOUCH codes matched to it.

COMPLETE MEMORY RESET

1 Remove the batteries (if inserted) and wait some seconds.

2 Now type in the memory reset password "1234567890".

3 An intermittent buzz can be heard to indicate that the memory has been erased.

The reset restored the factory presetting. All customized codes and settings are removed.

DISPOSAL

When the product is out of order, it must be disposed according to regulations in force on waste disposal and recycling of the various components (metal, plastics, electrical wires, etc.). For this purpose, it is advisable to contact your installer or a specialised company.