



Field Oil 24V DC



ELECTROMECHANICAL IN-GROUND OPERATOR IN OIL BATH FOR RESIDENTIAL SWING GATE MAX LEAF LENGTH UP TO 3,5 M / 11 FEET OR 600 KG / 1300 LBS MAX. WEIGH



- Noiseless, secure and reliable
- Oil bath lubrication of the gears for longer life
- OIL version with machined gear crown out of processed steel
- 24V low voltage for max. operation safety
- Adjustable slowdown in opening and closing through 24V USER control board
- Universal type (right/ left)
- Easy manual release with key and lock
- Emergency batteries and solar panel KIT SUNNY in option
- Duty cycles*: 40 per hour

* Duty Cycles depend on gate size and installation



Adjustable mechanical stop in opening and closing



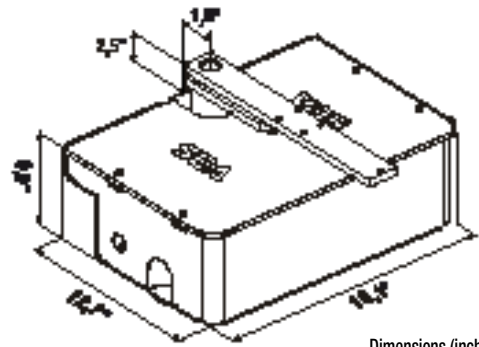
Plus release with lever and security lock

CODE	DESCRIPTION	MAX LEAF WEIGHT	MAX LEAF LENGTH	MAX OPENING DEGREE	MAX CYCLES / HOUR	PCS PER PALLETS
12300010-CSA	FIELD OIL 24V	1300 lbs	11 feet	180°	40	45

CONTROL BOARDS

CODE	DESCRIPTION
2302A24U2DG	USER 2 - 24V DG with plastic enclosure*
2302A24U2DGR	USER 2 - 24V DG Replace (only circuit)

*On request different dimensions



Dimensions (inches)

ACCESSORIES



23106305
BAT7
Batteries with box (7AH)



OIL-E
OIL
Yellow oil in 1 quart bottle



12715245
Electronic limit switches IP rated (1 pc)



12300315
BOXFI
Stainless steel box for FIELD with stops and long life in corrosion areas (beaches)



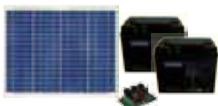
12300305
BOXF
Cataphoresis treated box for FIELD with adjustable opening/closing stops



16700047
G-LOCK
Magnetic Lock



23101104
ESUN Q
Battery charger 800 mA with solar panel admin



23106430 *
Kit SUPER SUNNY 85W
85W solar panel + charger + battery 33Ah



12710275
LOCKINTP
Manual release PLUS with lock (1 pc)



12710400
AP180
Kit for opening up to 180° for FIELD (max leaf opening 2 m)



16700060
LOCK KIT 12V
Electric lock Counter-plate for horizontal or vertical mounting external and internal cylinder



NB: ESUN Q 23101104 to combine with BAT7 23106305
(* Plastic box not included)