

Power-Master



Architectural Specifications:

Access Alliance Photo Beams

Economical
Protect Openings Up to 18' Wide
Auto-Detected & Monitored by
PowerMaster Solid State Circuit

PowerMaster Modular Receiver

Easy Installation –
Plugs into Control Board
Standard Three Channel - Open/Close/Stop
Single Button Control Available
FC Antenna

Complete Selection of Commercial Transmitters Available

OSE OPTICAL SENSING EDGE

Auto-Detected & Monitored by
PowerMaster Solid State Circuit
Functions when astragal
is bent or has slight damage
Sized to Door in the field
Quick Installation
Infrared Technology

VITECTOR



Supply PowerMaster model "SJ" Jackshaft type operator rated ½ HP, 115 Volts Single Phase, for use on Counter Shutters. Primary reduction shall be by heavy duty V-Belt Drive. Secondary reduction shall be a chain and sprocket arrangement. Reduction stages shall be arranged so that mechanism is self locking when torque is applied at output shaft. All reduction shafts shall be a minimum of 3/4" in diameter, supported by bronze oilite bearings. Operator shall provide an adjustable torque limiting clutch.

Motor shall be instantly reversible, permanent split capacitor type, protected from overload by a current sensing or thermal type overload device. All components of the control system shall be UL recognized. Control of the operator shall be by a solid state control board and shall provide instant reverse motor wiring. A transformer shall be provided to reduce control voltage to 24 VAC. Positive chain driven, rotary type limit switches shall be provided to limit full open and close travel of door. Limit switch adjustment shall not be affected by removal of motor or by manual operation of door. Terminal strips shall be provided for connection of power supply line and all control devices. Operator shall be wired for connection of a push button station, radio control, and obstruction sensing device without additional wiring modifications. Electrical components shall be installed in a NEMA 1 enclosure integral to the operator.

Final drive chain shall be a #41 roller chain. Operator shall be capable of right or left hand mounting in either a vertical or horizontal position. Final drive chain shall be #41 roller chain. Operator shall be capable of right or left hand mounting in either a vertical or horizontal position.

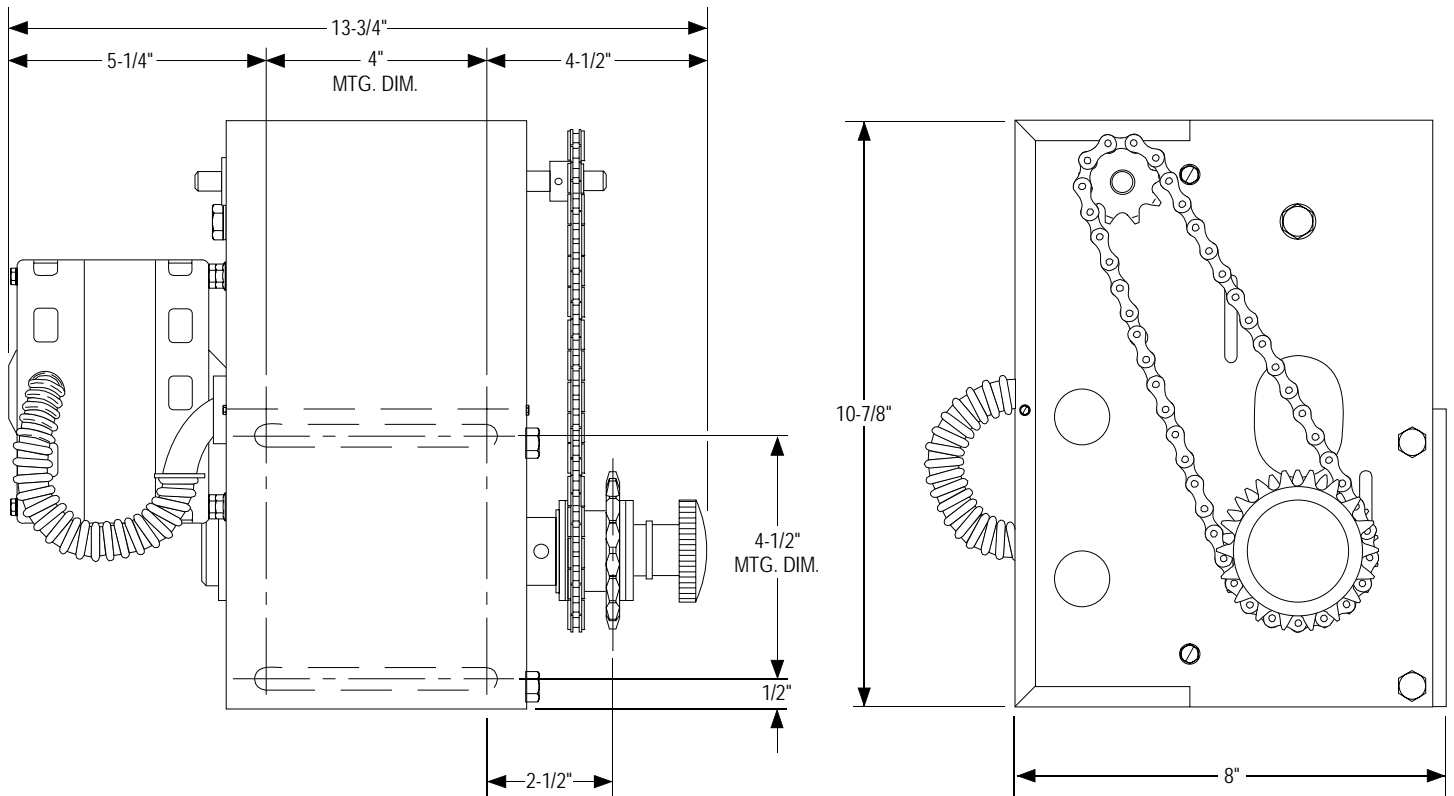
**PowerMaster Garage Door Openers
Proudly Assembled in the USA**

Electrical Specifications:

- 115 VAC Permanent Split Capacitor Motor with Full Overload Protection
- Solid State Circuitry with Power and Program Feedback LED's
- On Board Open/Close/Stop buttons for service and adjustments
- Terminals labeled and grouped by function
- Auto-Detect monitored photo beam for simplified installation
- Selectable Operating modes B2, C2, D1, E2, T, TS
- Field adjustable built in functions including: timer to close, mid-stop, delay on reverse, lock bar sensing, maximum run time, etc.

Mechanical Specifications:

- For Use on Counter Shutters
- Heavy Duty #41 Roller Chain & Driven Sprocket for Final Drive Included
- Adjustable Torque Limiting Clutch
- Positive Chain Driven Rotary Limit Switches
- Baked on Grey Powder Coat finish



AUTHORIZED DISTRIBUTOR: