

Linear   **OSCO**
OPERATORS

COMMERCIAL SWING GATE OPERATORS

Model SWG

SWG COMMERCIAL

- Crank style
- 1/2, 3/4, or 1 HP motor
- All voltages, single or three-phase
- Powder coat finish
- Post mount standard;
pad mount optional
- C-face direct to gear box design



All Models ETL Listed;
UL325 Compliant



Supporters and Proud Members of



ELECTRICAL

- 1/2, 3/4, or 1 HP, 115 or 230 VAC, single phase, thermally protected, heavy-duty PSC motor; 1/2, 3/4, or 1 HP, 230 or 460 VAC, three-phase heavy-duty motor
- Power on/off switch
- Emergency stop/reset button on front cover
- Duplex receptacle on 115 VAC units
- Three-button control station
- AC and DC power available for access control accessories and reversing devices
- Easily adjustable cam-operated limit switches

MECHANICAL

- Heavy-duty 60:1 right-angle C-face gear reducer
- Heavy-duty gate arm assembly with harmonic design for smoother starts and stops
- Over-center gate arm "locking" angle
- #40 roller chain and sprockets
- Adjustable torque limiter
- Heavy-duty pillow-block bearings

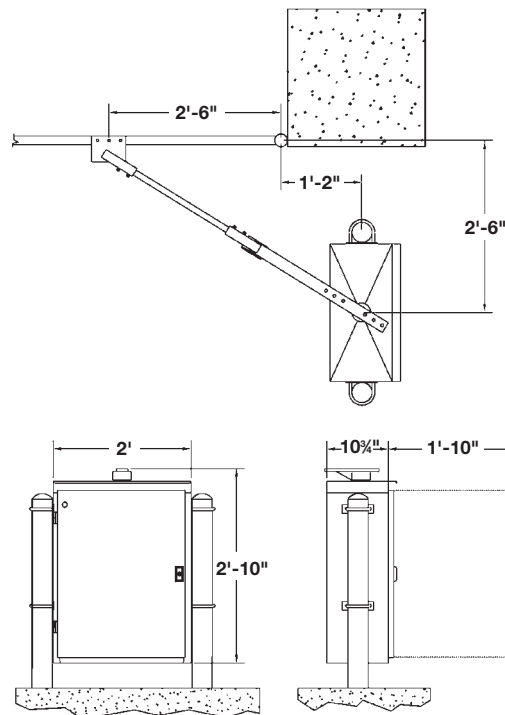


SWG SERIES SWING GATE OPERATOR SPECIFICATIONS

Model	HP	Voltage-Single Phase (Voltage-Three Phase)	Maximum Gate Width	Maximum Gate Weight	Seconds To Open Gate	Shipping Weight
SWG-2	1/2	115/230 V (230/460 V)	18'	700 lbs	15	275 lbs
SWG-4	3/4	115/230 V (230/460 V)	22'	900 lbs	15	275 lbs
SWG-1	1	115/230 V (230/460 V)	26'	1000 lbs	15	275 lbs

- 1 Direct C-Face Motor to Gear Box Drive**
for smooth and dependable power transmission
- 2 Solid-State Control Circuitry**
 - UL325/UL991 compliant control board
 - Programmable variable speed controller for smooth gate operation and high gate speed
- 3 Cam Operated Limit Switches**
- 4 Heavy-Duty Components**
Adjustable torque limiter and heavy-duty pillow block bearings for smooth, reliable, quiet power transmission
- 5 Weather-Resistant Cabinet**
 - Galvannealed steel cabinet with powder coat finish
 - Lockable, gasketed, hinged, and removable front cover
- 6 Standard Convenience Features**
 - Exterior stop/reset button
 - Power on/off switch
 - 3-button station

Dimensions



CAUTIONS



- Automatic gates not for pedestrians
- Automatic gate operators designed for vehicular traffic only; operators are powerful and can cause serious injury or death; DIRECT ALL PEDESTRIAN TRAFFIC TO SEPARATE PEDESTRIAN GATE
- UL325 requires use of contact or non-contact anti-entrapment devices
- ASTM F2200 requires that all exposed rollers are covered

Linear  **OSCO**
OPERATORS

LINEAR

(800) 421-1587 • www.linearcorp.com

OSCO, a subsidiary of Linear

(800) 333-1717 • www.operatorspecialty.com