

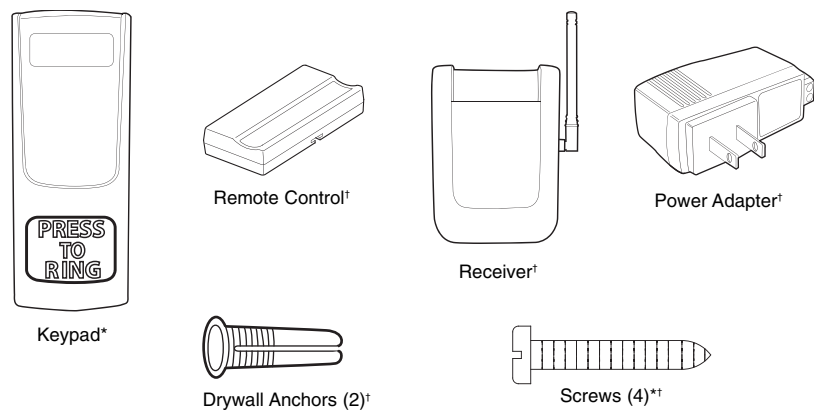
WIRELESS GATEBELL KEYPAD

MODEL WGB315 315 MHz Security+®

MODEL WGB315INDR 315 MHz Security+®

MODEL WGB315KYPD 315 MHz Security+®

CARTON INVENTORY

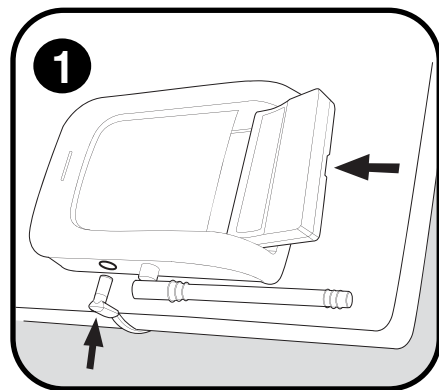


* Keypad and 2 Screws provided in model WGB315KYPD.

† Remote Control, Receiver, Power Adapter, Drywall Anchors and 2 Screws provided in model WGB315INDR.

INSTALLATION • MOUNT RECEIVER

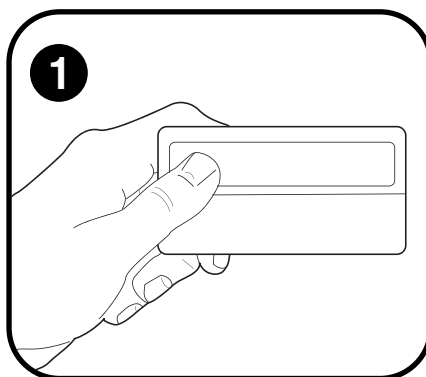
TABLETOP MOUNTING



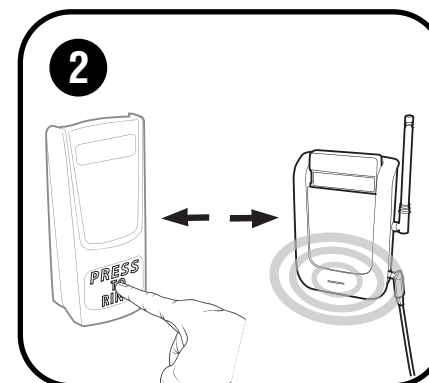
Insert remote control and power adapter into receiver. Plug into outlet.

INSTALLATION • MOUNT KEYPAD

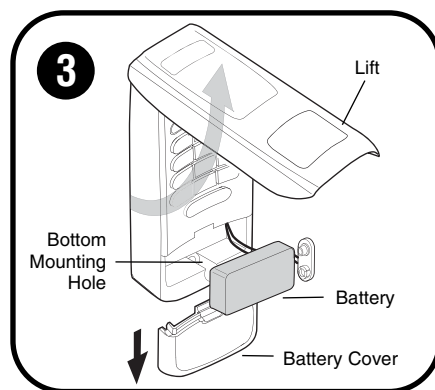
NOTE: For optimal range performance, mount the receiver to an external wall that is close to the gate operator. **DO NOT MOUNT TO METAL.**



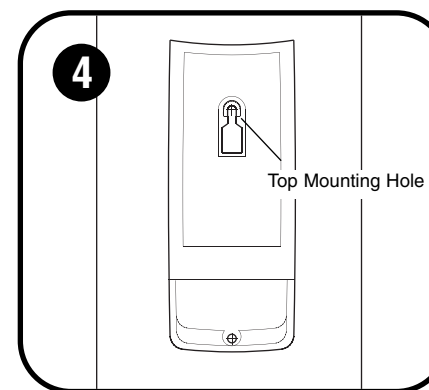
Program remote control to the gate operator radio receiver. Refer to your gate operator manual for programming instructions.



Remove foam spacer on underside of keypad cover. Check range before installing. Using two people, hold the keypad and receiver in the desired locations. Make sure the keypad rings the gatebell when pressed. If no chime is heard, repeat test using a new location for the receiver.

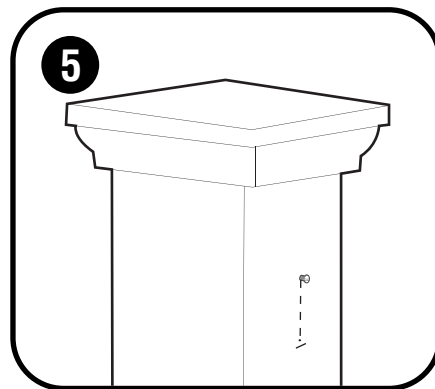
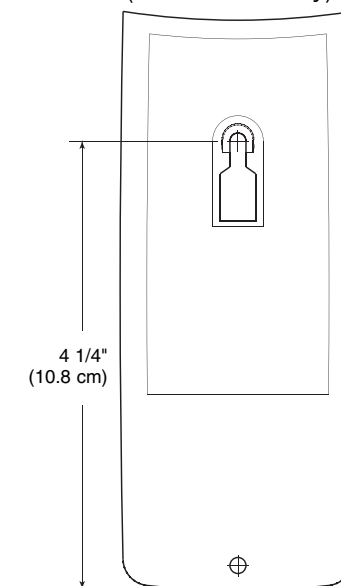


Remove battery cover and battery. Determine location for keypad. Mark the bottom mounting hole.

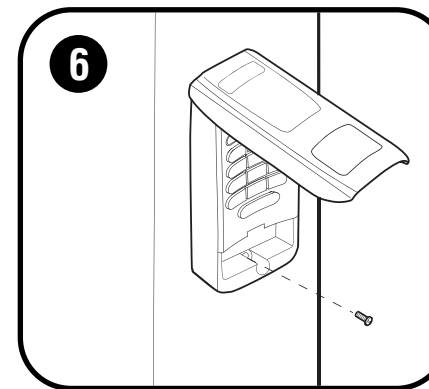


For the top mounting screw, mark 4 1/4" (10.8 cm) up the centerline from the bottom of the keypad. Drill 1/8" pilot holes for top and bottom screws. See keypad mounting reference.

KEYPAD MOUNTING (For reference only)



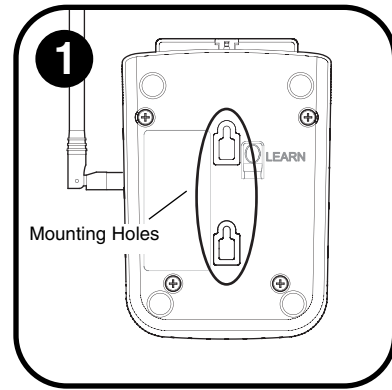
Install top mounting screw, allowing 1/8" (3.2 mm) to protrude above surface. Position keypad on screw head and adjust for snug fit.



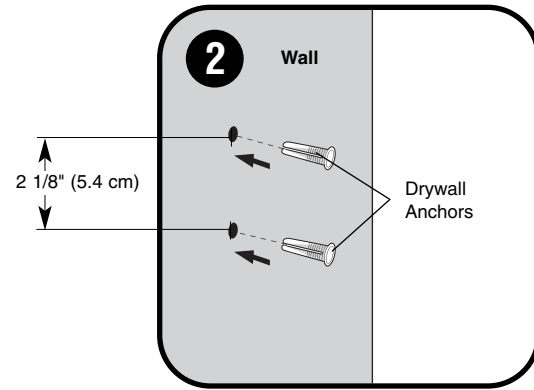
Secure keypad with bottom screw, using care to avoid cracking plastic housing. Reinstall battery and slide battery cover up and snap it into place. Close cover.

INSTALLATION • MOUNT RECEIVER

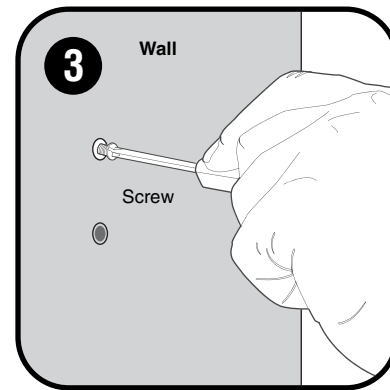
WALL MOUNTING



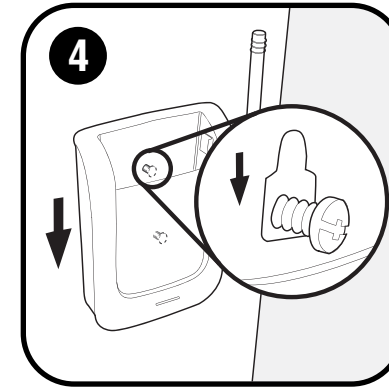
1 Screw antenna into receiver. Determine location for indoor receiver.



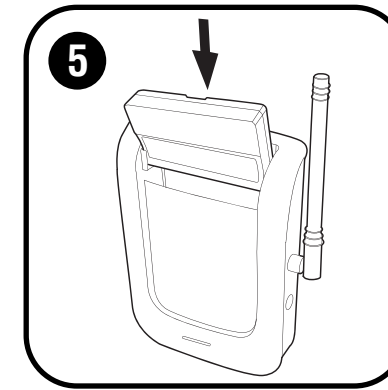
2 Mark and drill pilot holes using 1/4" drill bit. Insert drywall anchors.



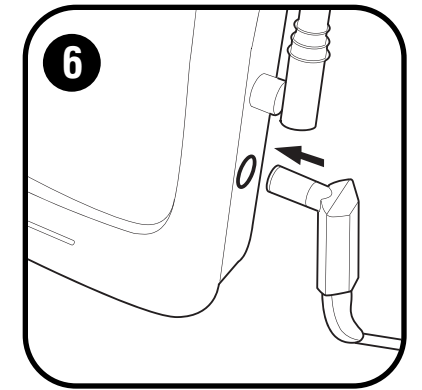
3 Install mounting screws, allowing 1/8" (3.2 mm) to protrude above surface.



4 Position receiver on screw heads.



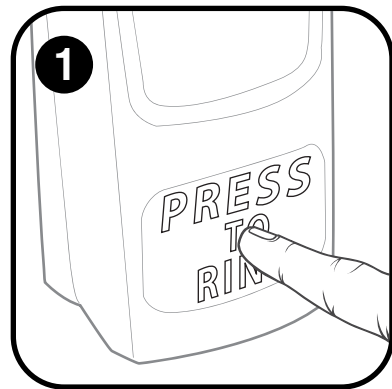
5 Insert remote control into receiver.



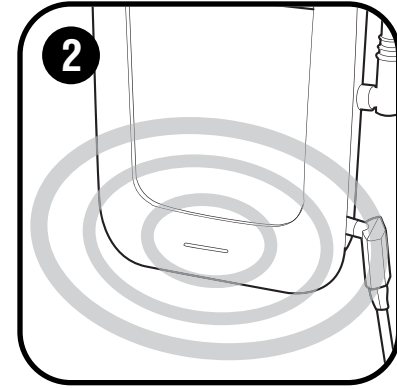
6 Plug power adapter into receiver. Plug into outlet.

OPERATIONAL TEST

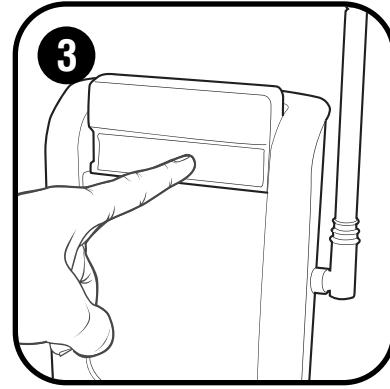
NOTE: Two people will be needed to properly test the gate doorbell.



1 Push "Press to Ring" on the keypad cover.



2 The gatebell will ring.



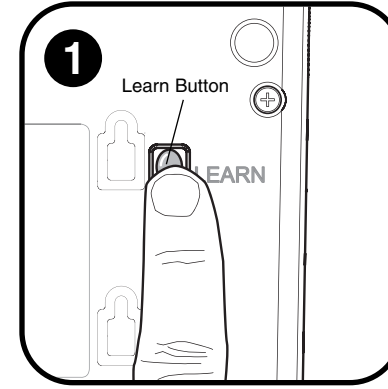
3 Press remote control button to open the gate.

PROGRAMMING

KEYPAD TO INDOOR RECEIVER



The included keypad is learned to the receiver at the factory. Follow the next steps to learn replacement or additional keypads only.



1 Press and release the learn button on the back of the indoor receiver.

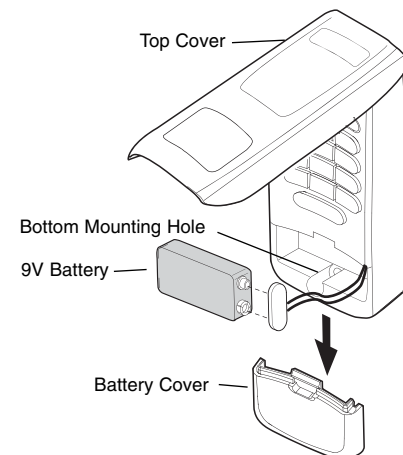


2 Push "Press to Ring" on the keypad cover within 30 seconds. Repeat operational test to verify.

CAUTION: Pressing the learn button for more than 6 seconds will clear all the learned keypads.

The keypad can also be programmed to the gate operator using a 4-digit PIN entry code. Refer to your gate operator manual.

THE KEYPAD BATTERY



WARNING

To prevent possible **SERIOUS INJURY** or **DEATH**:

- NEVER allow small children near batteries.
- If battery is swallowed, immediately notify doctor.

The battery should produce power for at least one year. Replace when the keypad illumination becomes dim or it doesn't stay on after a keystroke.

Dispose of old battery properly.

FOR SERVICE DIAL OUR TOLL FREE NUMBER: 1-866-826-4943

© 2008, The Chamberlain Group, Inc.
All Rights Reserved