

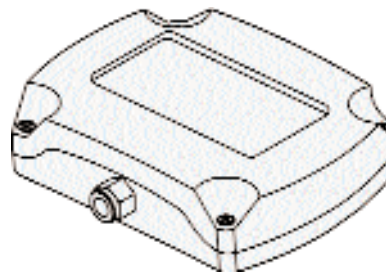


TriCode™ TCG1 Single Channel Receiver

U.S. Patent Pending

SPECIFICATIONS

- Output Rating: 5 Amps 28VAC or DC Max.
- Power: 12VDC or 18 to 34VAC/DC, @ 30ma
- RF Frequency: 300 or 310MHz
- Accessory Transmitters: TC1, TC2 and TC4
- Antenna Extension Kit: TCEXT



This device complies with FCC Rules Part 15 and IC Canada Rules and Regulations. Operation is subject to the following two conditions: (1) This device may not cause harmful interference and (2) this device must accept any interference received, including interference that may cause undesired operation.

F.C.C. rules prohibit adjustments to or modification of receiver and/or remote control transmitter circuitry except for changing the code setting and replacing remote control transmitter battery. **THERE ARE NO OTHER SERVICEABLE PARTS.**

The TriCode™ digital receivers are designed for use with automatic garage/gate operators and access control systems. All TriCode™ products may be matched with Linear/Delta-3™, Multi-Code™, and Stanley™ radio products which may already be installed.

The TriCode™ radio format provides a potential of 1024 different digital codes. For Linear/Delta-3™ compatible products, 256 different digital codes are available. The codes are set using a 10-position DIP switch system.

INSTALLATION AND SERVICE INFORMATION ARE AVAILABLE 6 DAYS A WEEK CALL OUR TOLL FREE NUMBER

1-800-528-3536

HOURS 7:00 TO 3:30 p.m. (Mountain Std. Time)
MONDAY Through SATURDAY

OR CONTACT US THROUGH THE WEB AT
WWW.CHAMBERLAINGROUP.COM

TABLE OF CONTENTS

DESCRIPTION	PAGE
Setting Power Supply Selection.....	2
Setting Output Relay Mode.....	2
Setting the Configuration Switch.....	3
Setting DIP Switch.....	3
Power Supply Connections.....	4



WARNING

Children operating or playing with a garage door /gate opener can injure themselves and others. *The door/gate could close and cause serious injury or death.* Do not allow children to operate the door control push button or the remote control transmitters.

Install the receiver (and all door control push buttons) out of the reach of children and away from all moving parts of the door and door hardware, but *where the door/gate is visible.*



WARNING

Disconnect power to opener before installing receiver or removing/replacing receiver cover.

POWER & OUTPUT RELAY SWITCH SETTINGS

CAUTION: To avoid possibility of duplicating codes in adjacent systems, all transmitters and receivers should be re-coded prior to operation. Unless using maximum number of codes the following four codes should not be used:

- All DIP Switches ON
- All DIP Switches OFF
- DIP Switches alternating ON/OFF
- DIP Switches alternating OFF/ON.

Receivers should be installed at least 5 feet apart to avoid cross-talk. After completing installation, operate transmitter outside of building to make certain the chosen DIP switch setting does not operate with nearby garage door operators and/or security systems. If so, select another DIP switch setting and check the coded signal again. Repeat as necessary.

RECEIVER MOUNTING

Mount receiver to wall using #6 hardware (Not Supplied). Hardware used will depend on mounting application. (Refer to figure 1 for receiver mounting hole locations).

ANTENNA MOUNTING

Screw on antenna clockwise and slide rubber boot down to meet o-ring.

Step 1 Power Supply Selection Setting

The TriCode™ receiver is factory set for 24 volt power input if 12 volt is required. Remove front cover of receiver by turning screws counterclockwise a 1/4 of a turn until each releases. Set jumper (P3) to either 12 or 24 volt setting depending on your power input (Refer to figure 1).

Step 2 Setting Output Relay Mode

The TriCode™ receiver is factory set for momentary relay output "MNT".

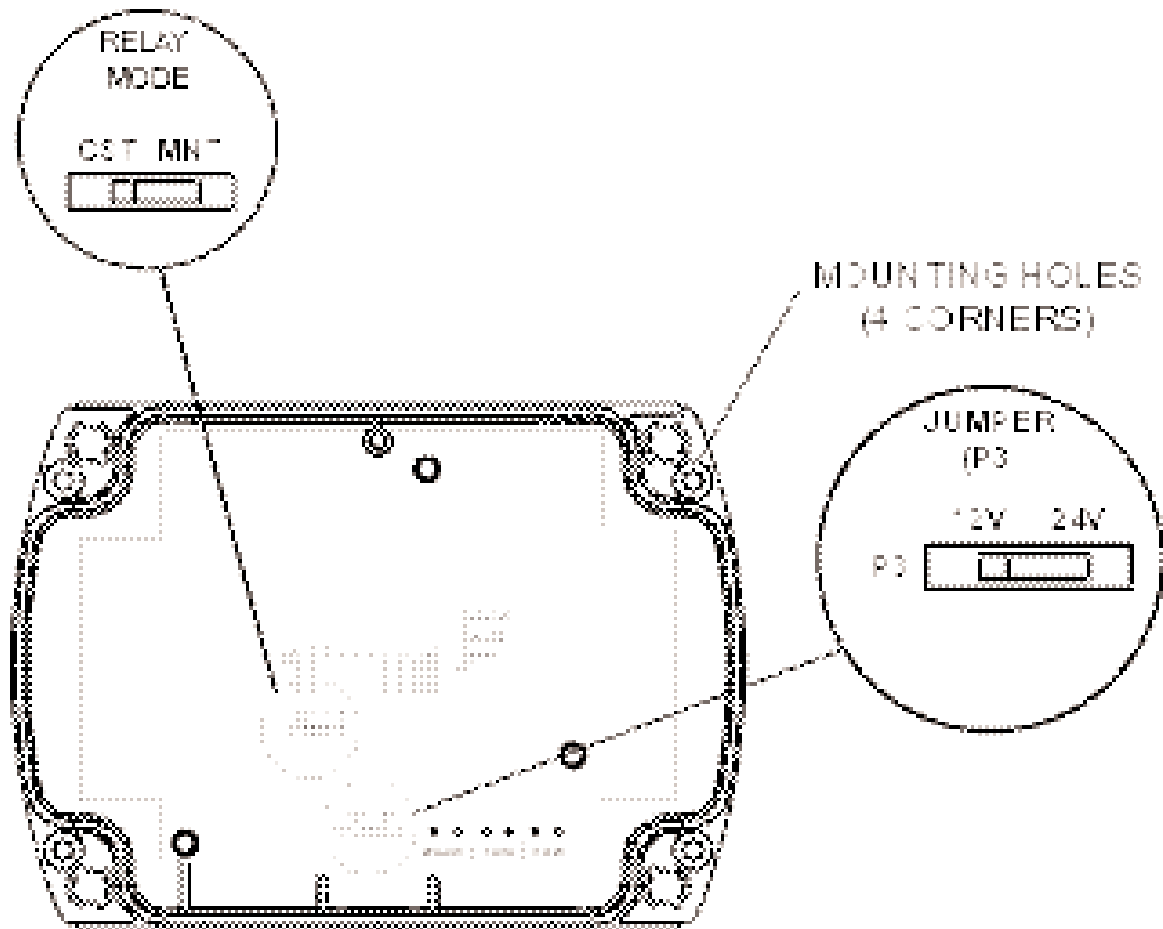
(a) **Momentary mode:** The output relay will be on for .5 seconds before turning off.

(b) **Constant pressure mode:** Output relay is continuously on while receiving matching/valid ID code from transmitter. The output relay will turn off immediately once receiver does not received a matching/valid ID code from the transmitter.

If constant pressure mode is desired, move mode jumper from "MNT" to "CST" (Refer to figure 1).

NOTE: The relay output is an isolated normally open contact.

FIGURE 1



CONFIGURATION & DIP SWITCH SETTINGS

Step 3 Setting the Configuration Switch

The TriCode™ receiver is factory set for Linear/Delta-3™.

Locate the configuration switch and set it to the desired RF mode of operation (Refer to figures 2 and 4). Modes are as follows:

Linear/Delta-3™: works with all “Linear/Delta-3™” transmitters transmitted at 310 MHz using 8-bits ID system.

Multi™: works with all “Multi-Code™” transmitters transmitted at 300 MHz using 10-bits ID system.

Stanley™: works with all “Stanley™ radio” transmitters transmitted at 310 MHz using 10-bits ID system.

Step 4 Setting DIP Switch

The TriCode™ receiver DIP switch is factory set OFF (1-10). Locate the 10 position DIP switch.

If this is a new installation using TriCode™ transmitters, randomly set switches matching those of the transmitters. Never use factory settings. If receiver is used with Linear/Delta 3™, Multi-code or Stanley™ transmitters, match the receiver DIP switch to the above transmitters. Some transmitters may use toggle switches and it may be difficult to determine on & off. If so, try reversing the setting on the TriCode™ DIP switch (Refer to figures 3 and 4).

Note: In 'LINEAR/DELTA-3™' mode (8-bits system) the last 2 bits (DIP #9 & 10) settings are ignored. They can be left in either 'ON' or 'OFF' settings.

FIGURE 2



FIGURE 3

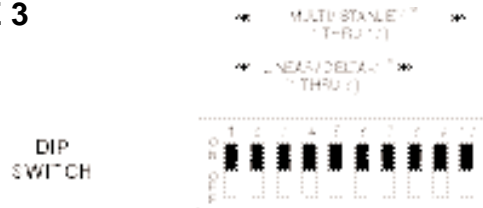
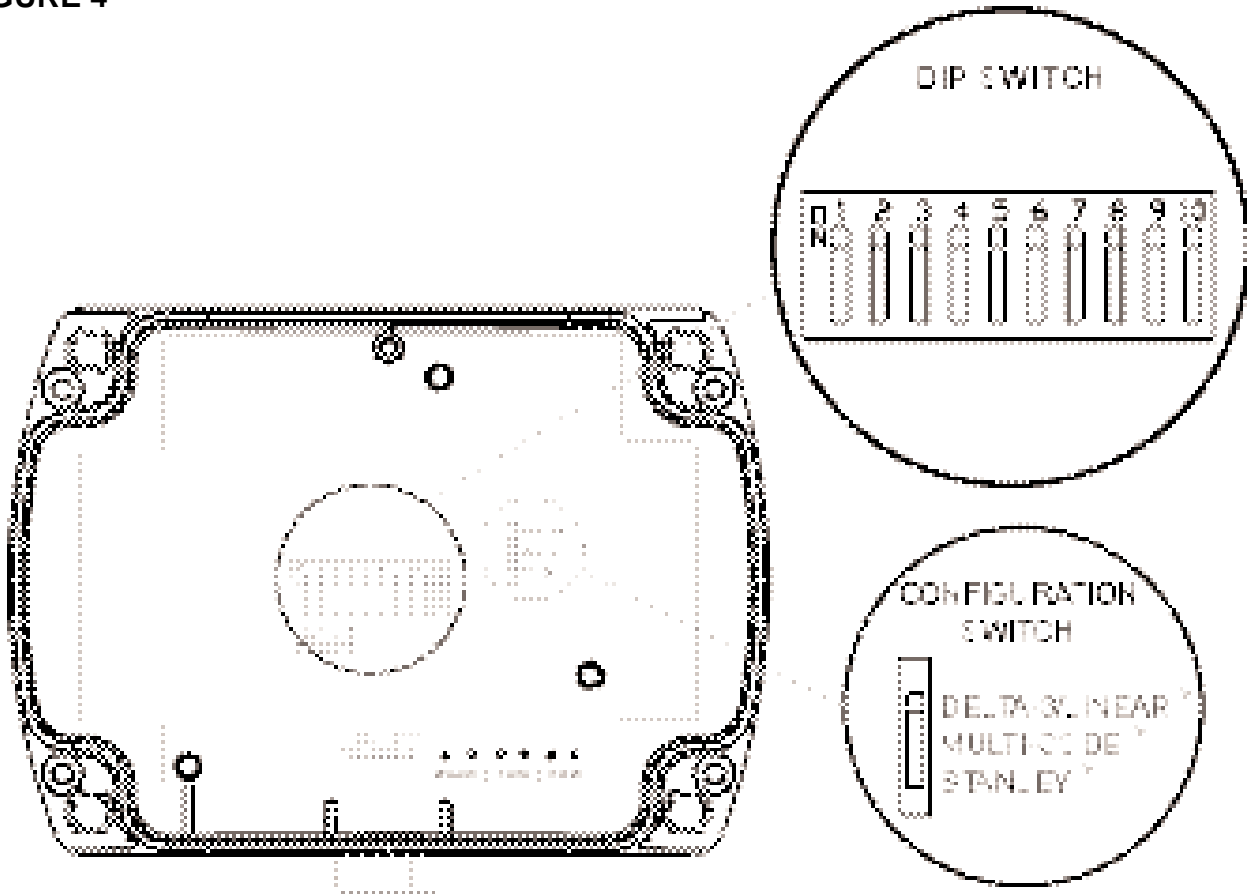


FIGURE 4



POWER CONNECTIONS

Step 5 Power Supply Connections

A prewired gasketed pigtail is included for your convenience (See figure 5 for outgoing wires).

NOTE: For internal wire connections refer to figure 6.

FIGURE 5

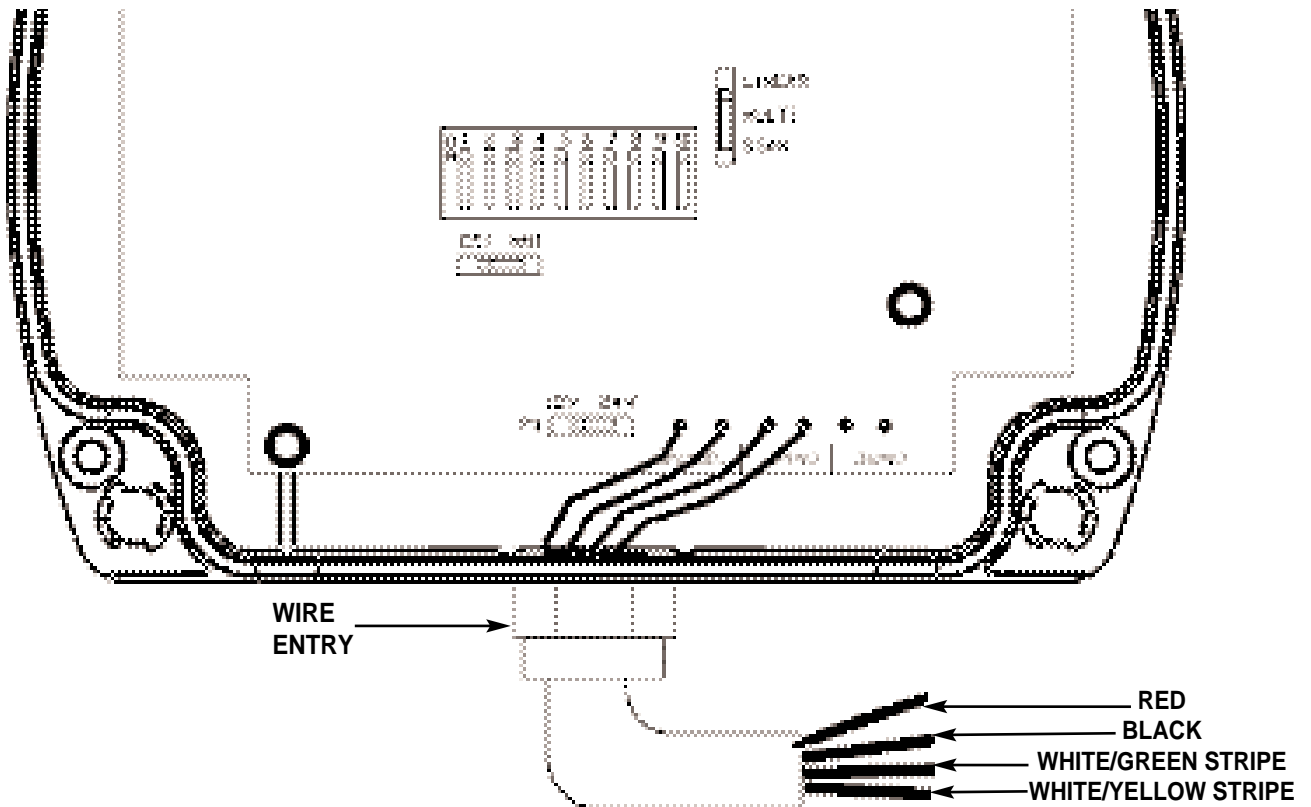


FIGURE 6

