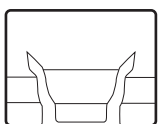


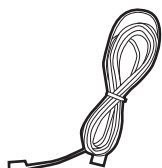
Overview

The Indoor Telephone Interface uses a 900 Mhz secure digital radio link that allows secure conversations and gate operator control. The Telephone Interface Unit (OTIU) is compatible with various Liftmaster Wireless Products.

Carton Inventory



Indoor Telephone Interface (OTIU)



Telephone Cord



AC Adapter

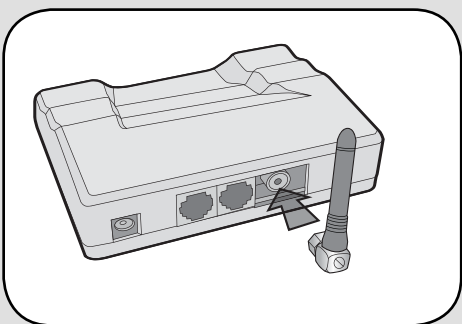


Antenna

Assembly

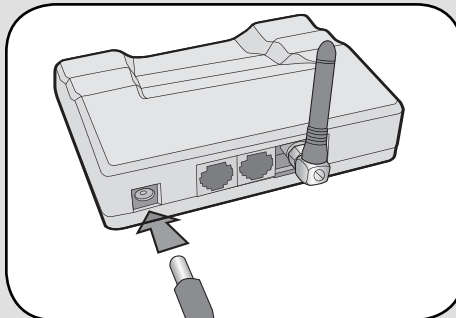
Choose location near a phone jack and an electrical outlet. Do not place OTIU near a computer or any other "radio noise source". Keep antenna clear of obstruction.

Step 1



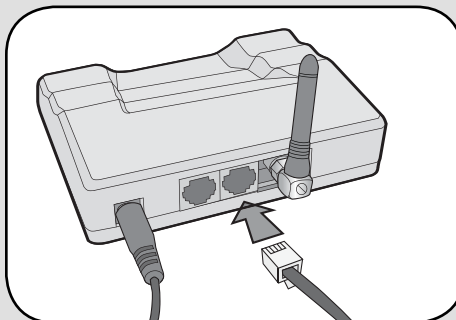
Plug in antenna.

Step 2



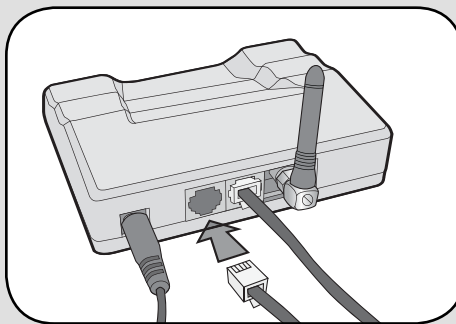
Plug in the AC Adapter. The Power LED will light.

Step 3



Plug the cord from the phone in the PHONE port.

Step 4



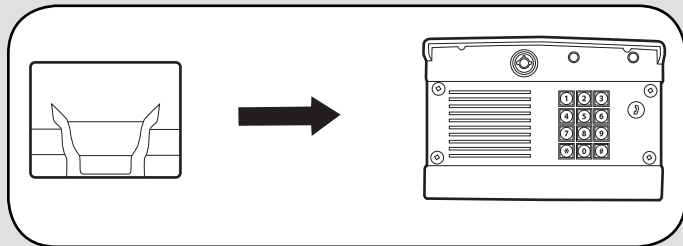
Plug the included phone cord in the LINE port and connect it to the phone jack in the wall.

Program Accessories

With Existing Network

NOTE: If programming into an existing network, ensure the OTIU is programmed to the Active unit.

Gate Access Panel (GAPLM)

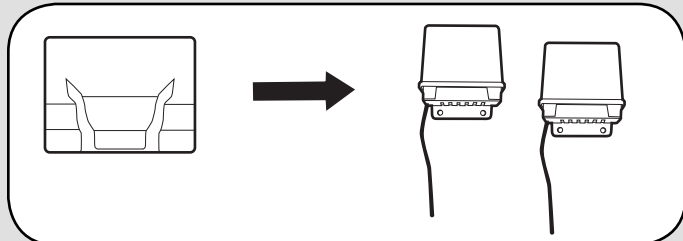


Step 1: On the phone connected to the OTIU, press “**07” after hearing the dial tone. Listen for double beep. Hang up and Learn LED will flash for 15 seconds. If an error tone is heard it means that memory will have to be cleared (see *Troubleshooting*).

Step 2: Within 15 seconds enter Master PIN Number on GAPLM.

Step 3: Press “05” and GAPLM will beep. The OTIU will ring the telephone and Caller ID will display “Unit Learned”.

Repeaters



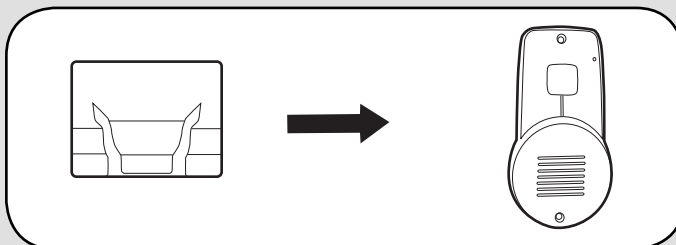
Step 1: On the phone connected to the OTIU, press “**07” after hearing the dial tone. Hang up and Learn LED will flash for 15 seconds. If an error tone is heard it means that memory will have to be cleared (see *Troubleshooting*).

Step 2: Within 15 seconds press the Learn button on **ONE** Repeater. The LED will light.

Step 3: The OTIU will ring the telephone and Caller ID will display “Unit Learned”.

NOTE: If the Repeaters have not been programmed to anything within an existing network, see Repeater manual for further instructions.

DAILM



Step 1: Set Dipswitch #1 on the DAILM to the UP position to set the DAILM as a primary device.

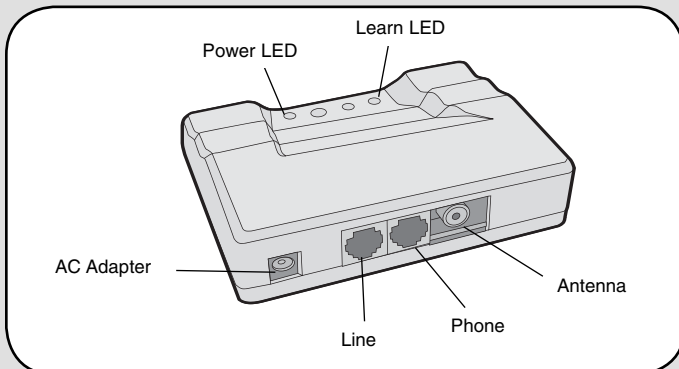
Step 2: On the phone connected to the OTIU, press “**07” after hearing the dial tone. Hang up and Learn LED will flash for 15 seconds. If an error tone is heard it means that memory will have to be cleared (see *Troubleshooting*).

Step 3: Within 15 seconds, press and release the Learn button on the DAILM.

Step 4: The OTIU will ring the telephone and Caller ID will display “Unit Learned”.

Features & Operation

NOTE: Any features of the OTIU do not require extra service from the Telephone Company.



Answering Calls (Regular Mode)

When visitor presses the Call button on intercom, the telephone connected to the OTIU will ring distinctively up to four times. If an expandable OTIU system is used all phones within the system will ring. When phone is answered it will connect to the Intercom at gate or door. After connecting to the Intercom, the gate can be activated by dialing “*9”.

To activate the primary gate operator dial “*9” on the phone connected to the OTIU.

Caller ID

When there is a visitor at the gate the OTIU will display “Gate Visitor” on a Caller ID telephone (or Caller ID box) that is directly connected to it.

When there is a visitor at the door, the OTIU will display “Front Door” or “Back Door” depending on how you have your door Intercom set up (see Intercom manual).

If someone is tampering with the gate, the OTIU will ring the phone and display “!Gate Tamper!”.

Call Waiting

If talking on the phone connected to OTIU, a distinctive beep will be heard indicating Call Waiting. Caller ID will alert that there is a visitor. To place call on hold and connect to the Intercom, press the FLASH button.

If talking on phone other than the one connected to the OTIU, the telephone connected to the OTIU will ring as normal and the call will not be interrupted.

Change Number of Rings

By default the OTIU will ring the telephone 4 times. If an answering machine is programmed to pick up after 4 rings, OTIU should be changed to ring 3 times. This will prevent answering machine from picking up if phone is not answered when a visitor calls. If answering machine does pick up, visitor will hear answering machine message through speaker.

Using the telephone connected to OTIU, dial :**102 for 2 rings up through “**105” for 5 rings.

Call Forwarding

If user is away from home the OTIU can be programmed to call when there is a visitor. When visitor presses Call button the OTIU will ring home telephone 1 time. If telephone is not answered, the OTIU will dial call-forwarding number that has been programmed. After ringing that number 3 times the OTIU will hang up. If visitor presses Call button again the process will repeat.

Answering Calls (Call Forwarding Mode)

When answering call from OTIU, a beep will be heard for up to 10 seconds. To accept call, dial “0”.

Hang up to disconnect.

To control the gate dial “*9”.

NOTE: OTIU checks if home line is busy prior to dialing forwarding number. If busy, the OTIU will wait and try again. Once OTIU dials forwarding number, if forwarding number is busy, the OTIU will wait and try again.

Programming Call Forwarding Number

On telephone connected to OTIU, dial “*#”. A beep will be heard.

Enter the forwarding number (up to 14 digits). To accept new number, press “#”. A beep will be heard.

NOTE: For long distance calls, include proper prefix.

Verifying Call Forwarding Number

On telephone connected to OTIU, dial “**06”. A beep will be heard. Hang up the telephone.

The telephone will ring and the call forwarding number that has been programmed will be displayed on Caller ID screen.

Enable/Disable Call Forwarding

To enable call forwarding dial “**01” on telephone connected to OTIU. A beep will be heard.

To disable call forwarding dial “**02” on telephone connected to OTIU. A beep will be heard.

Remote Activation Through Answering Machine

Gate can be remotely activated through the answering machine. Call home and when answering machine picks up, dial “*9”. The OTIU will then activate the gate.

PIN Number Functions

Number	Function
**01	Enable Call Forwarding
**02	Disable Call Forwarding
**07	Activating the OTIU
**06	Verify Call Forwarding Number
**#8	Clear Memory
*9	Activate Gate
**102 - **105	Change number of rings
*#(Phone Number)#	Program call forwarding number

Troubleshooting

Dial tone is not heard after connecting to the OTIU.

Check phone connections. If it is a two-line phone ensure it is on Line 1.

If a dual-tone error tone is heard when trying to open gate, ensure OTIU is programmed to the correct GAPLM, DAILM, or Intercom. Check that gate operator has been taught to master unit as well.

If OTIU has already been programmed and will need to have memory cleared (see below).

Memory needs to be cleared.

Clearing OTIU memory will not clear any OTIU settings or programmed phone numbers. To clear memory, dial “**#8” on the telephone connected to the OTIU. A beep will be heard.

To clear DAILM memory, set Dipswitch #1 to the DOWN position, then press the Learn button until a beep is heard (about 15 seconds).

When dialing numbers a dial tone is heard.

All numbers and symbols must be dialed within 3 seconds of each other, otherwise the OTIU times out and returns to dial tone.

OTIU is not getting expected transmission range.

When used in buildings with stucco or cement walls, the range is greatly reduced. The Repeaters can be used close to the building to solve this problem.

Keep OTIU away from trees, metal objects, masonry, computers, and any other “Radio Noise Source”. Radio devices that run on 900 Mhz also affect range. Turn them off and see if reception has improved.

Keep antenna vertical.

After dialing “*9” a beep is heard, then an error tone. Check batteries in GCU.

Will not accept command after dialing “***”.

Check the line and telephone connections.

Telephone does not ring when Call button is pressed.

If the Active LED on OTIU flashes after Call button is pressed, check telephone connections.

If the Active LED on OTIU does not flash after the Call button is pressed, see Programming Accessories to ensure OTIU is programmed correctly.

There is a buzzing or failed connection when call is answered.

Move OTIU away from phone and/or computer. Try changing channel of OTIU and/or the channel on the GAPLM (see Gate Access Panel manual).

Only first couple of words from caller are heard.

Lower the GAPLM microphone sensitivity (see Gate Access Panel manual).

FOR TECHNICAL SUPPORT DIAL OUR TOLL FREE NUMBER:

1-800-528-2806

www.liftmaster.com

NOTICE: To comply with FCC and or Industry Canada rules (IC), adjustment or modifications of this receiver and/or transmitter are prohibited, except for changing the code setting or replacing the battery. THERE ARE NO OTHER USER SERVICEABLE PARTS.
Tested to Comply with FCC Standards FOR HOME OR OFFICE USE. Operation is subject to the following two conditions: (1) this device may not cause harmful interference, and (2) this device must accept any interference received, including interference that may cause undesired operation.