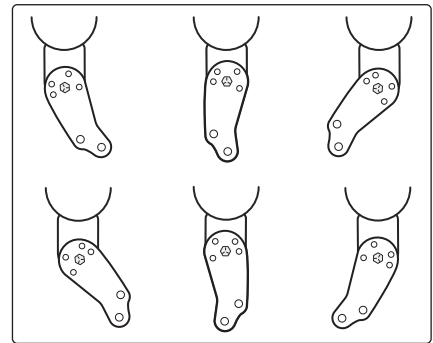
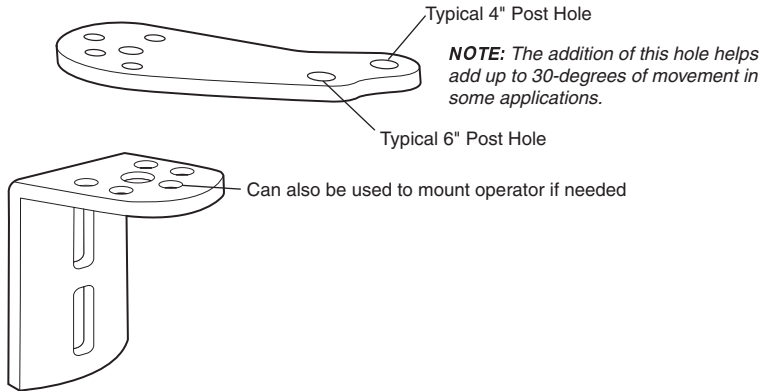


**LA400 BRACKET CONFIGURATIONS**

Assemble bracket.

**NOTE:** This new bracket is being added to the LA400, offering greater mounting flexibility.



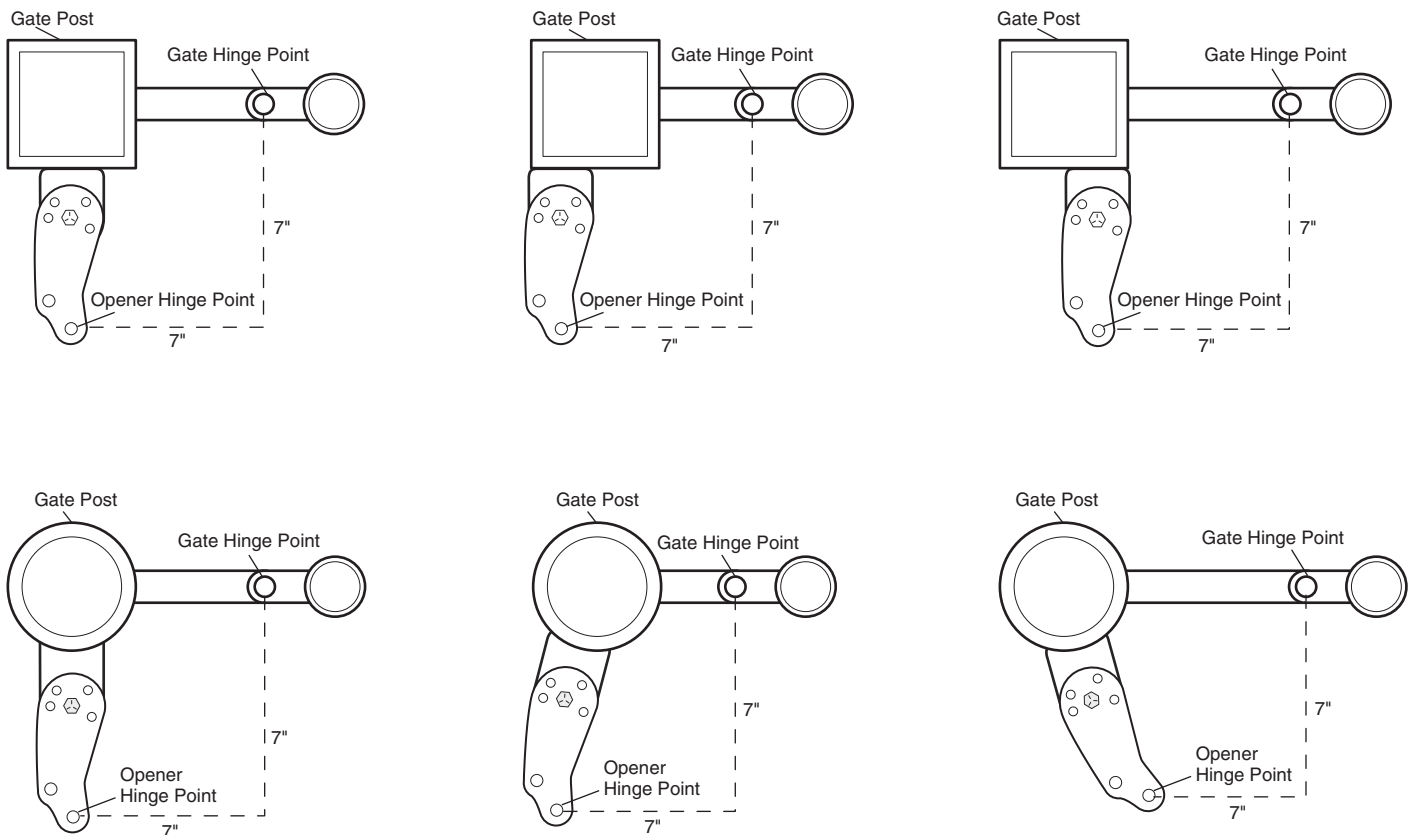
Acceptable Configurations (will vary based on site conditions)

**DETERMINE MOUNTING LOCATION**

The gate post bracket assembly can be mounted several places on the gate post.

Ideally, the distance between and opener hinge points should be approximately 7" x 7". Place opener against gate post and adjust the opener until the required dimension is achieved (Figure 1).

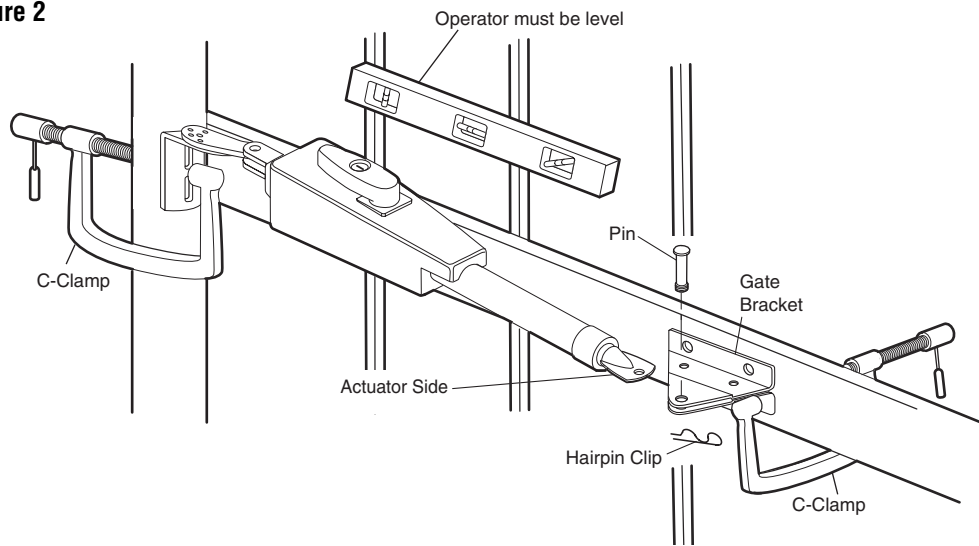
**Figure 1**



## ATTACH THE OPERATOR

Secure brackets to post and gate with c-clamps. Attach operator arm to brackets with pins and clips provided (Figure 2).

Figure 2



Disengage the operator by inserting the key and rotating the handle (Figure 3).

Move the gate manually to the fully open and fully closed positions. It is extremely important that the gate bracket does not bind with the post bracket (Figure 4).

Figure 3

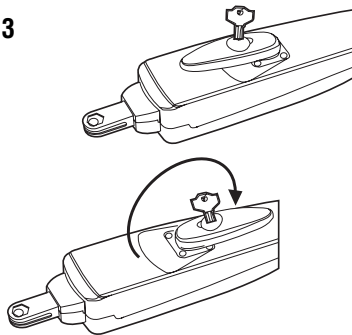


Figure 4

